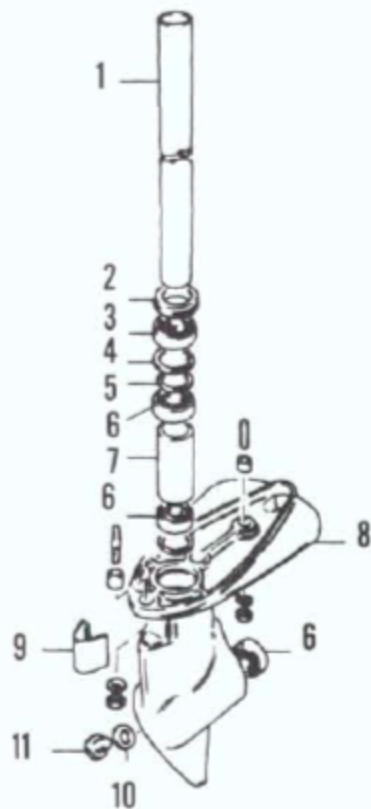


GEARCASE (MODELS DT2 AND DT2.2)



1. Drive shaft tube
2. Seal
3. Seal
4. Circlip
5. Shim
6. Bearing
7. Spacer
8. Gearcase housing
9. Cover
10. Gasket
11. Drain plug
12. Drive shaft
13. Thrust washer
14. Pinion gear
15. E-clip
16. Cotter pin
17. Propeller
18. Spacer
19. Shear pin
20. Propeller shaft/
forward gear
21. Seal
22. Water tube
23. Grommet
24. Bearing
25. O-ring
26. Gearcase cap
27. Impeller
28. Drive key
29. Water pump cover

