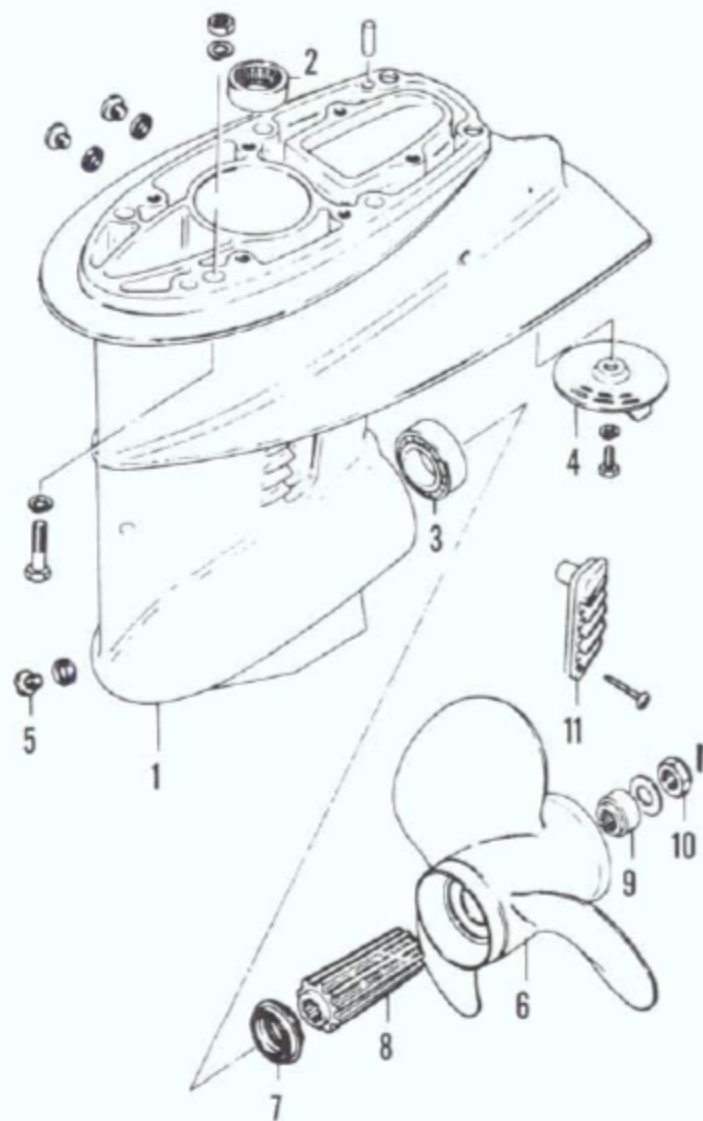


GEARCASE (MODELS DT25 AND DT30)



1. Gearcase housing
2. Bearing
3. Bearing
4. Anode
5. Drain plug
6. Propeller
7. Thrust hub
8. Propeller drive hub
9. Spacer
10. Propeller nut
11. Water screen
12. Drive shaft
13. Spring
14. Thrust washer
15. Tab washer

16. Sleeve
17. Circlip
18. Thrust washer
19. Pinion gear
20. Pinion nut
21. Cam follower
22. Forward gear
23. Cross pin connector
24. Clutch
25. Propeller shaft
26. Reverse gear
27. O-ring
28. Bearing
29. Bearing carrier
30. Seal

