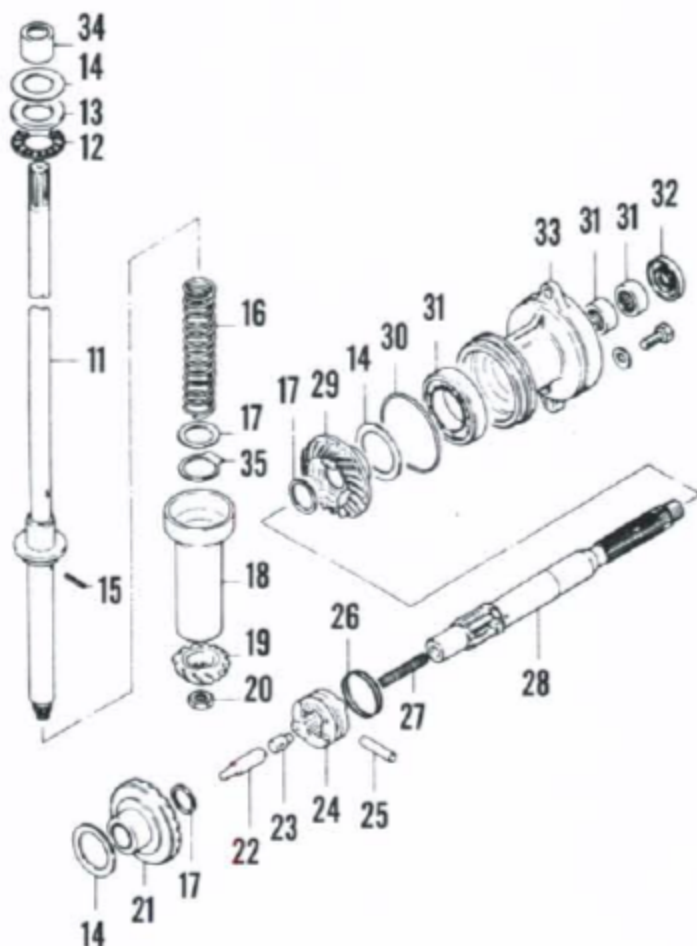
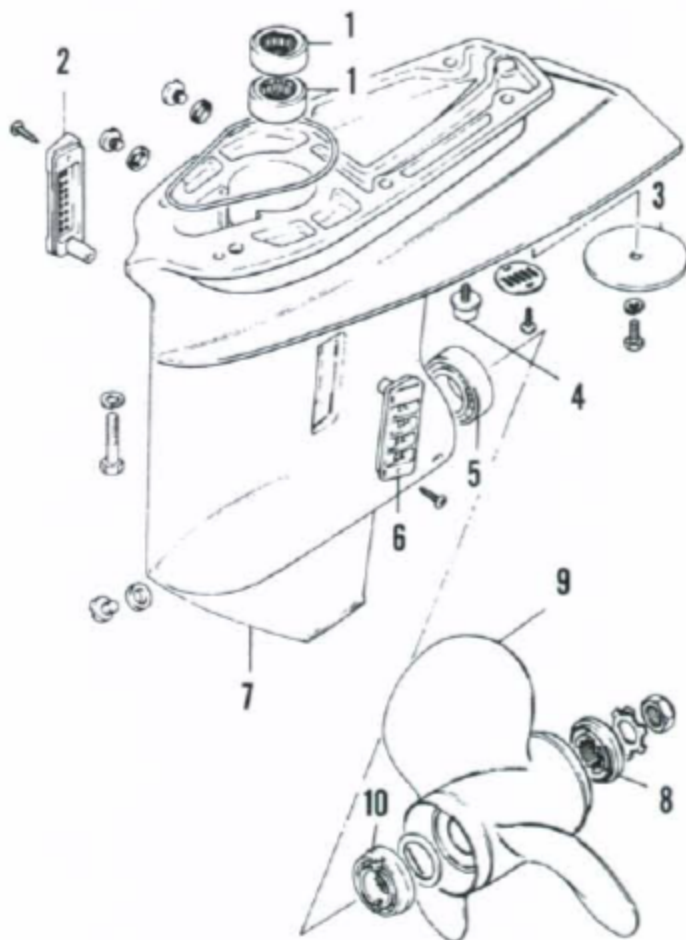


GEARCASE (MODEL DT 40)

1. Bearing
2. Water screen
3. Anode
4. Anode
5. Bearing
6. Water screen
7. Gearcase housing
8. Splined washer
9. Propeller
10. Thrust hub



11. Drive shaft
12. Thrust bearing
13. Thrust washer
14. Shim
15. Pin
16. Preload spring
17. Thrust washer
18. Sleeve
19. Pinion gear
20. Pinion nut
21. Forward gear
22. Cam follower
23. Cross pin connector
24. Clutch
25. Cross pin
26. Cross pin retainer
27. Spring
28. Propeller shaft
29. Reverse gear
30. O-ring
31. Bearing
32. Seal
33. Bearing carrier
34. Bearing
35. Tab washer