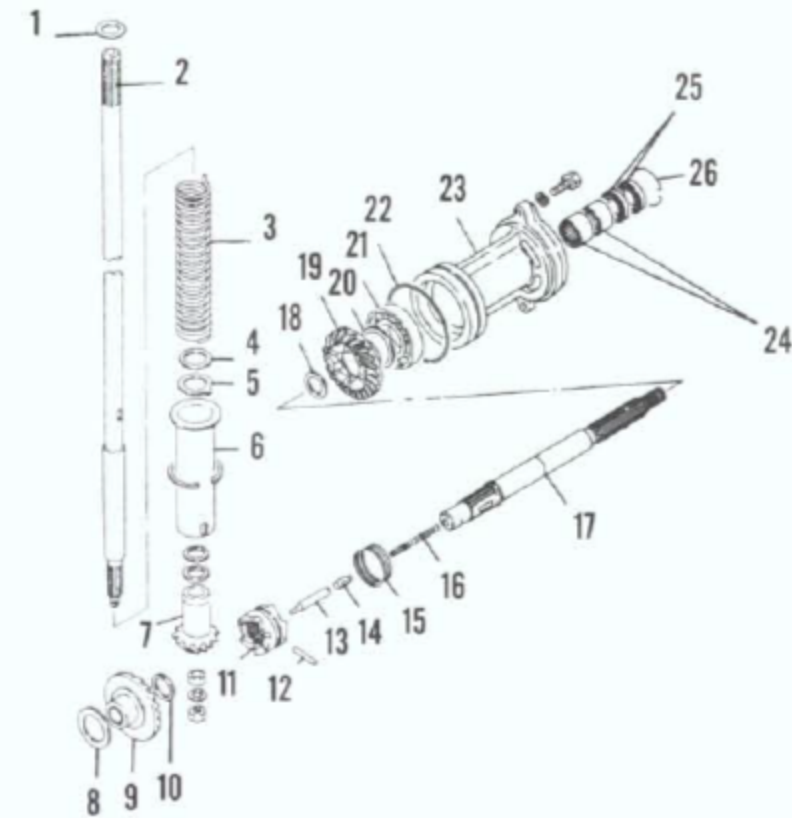


GEARCASE (MODELS DT55 AND DT65)



1. Circlip
2. Drive shaft
3. Preload spring
4. Thrust washer
5. Tab washer
6. Sleeve
7. Pinion gear
8. Forward gear shim
9. Forward gear
10. Thrust washer
11. Clutch
12. Cross pin
13. Cam follower
14. Cross pin connector
15. Cross pin retainer
16. Spring
17. Propeller shaft
18. Thrust washer
19. Reverse gear
20. Reverse gear shim
21. Ball bearing
22. O-ring
23. Bearing carrier
24. Needle bearing
25. Seals
26. Circlip
27. Bearing
28. Gearcase housing
29. Trim tab
30. Spacer
31. Thrust hub
32. Propeller
33. Splined washer
34. Tab washer
35. Propeller nut
36. Cotter pin

