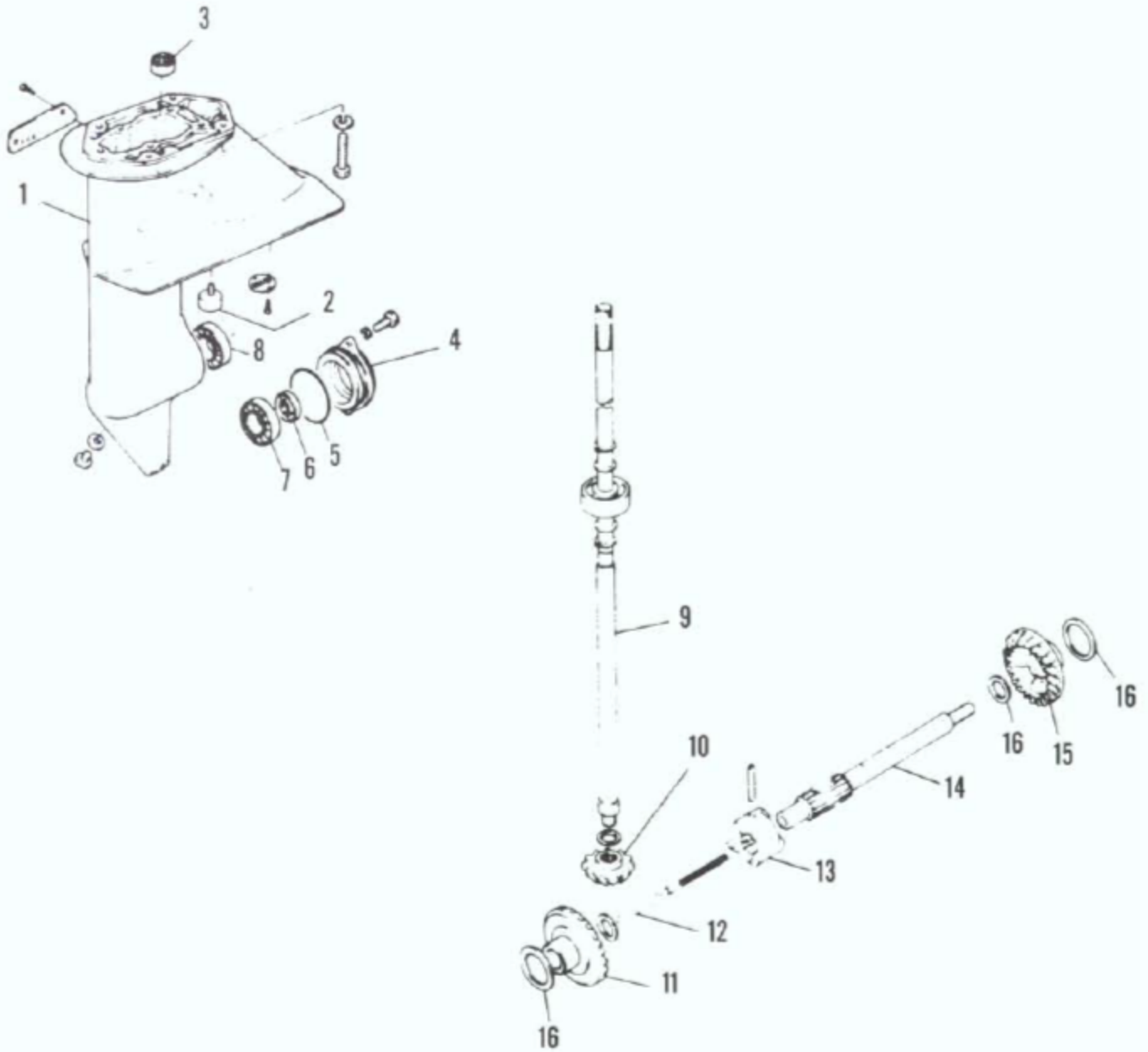


GEARCASE (MODEL DT 6)



- | | |
|---------------------|---------------------|
| 1. Gearcase housing | 9. Drive shaft |
| 2. Anode | 10. Pinion drive |
| 3. Bearing | 11. Forward gear |
| 4. Gearcase cap | 12. Cam follower |
| 5. O-ring | 13. Clutch |
| 6. Seal | 14. Propeller shaft |
| 7. Bearing | 15. Reverse gear |
| 8. Ball bearing | 16. Thrust washer |