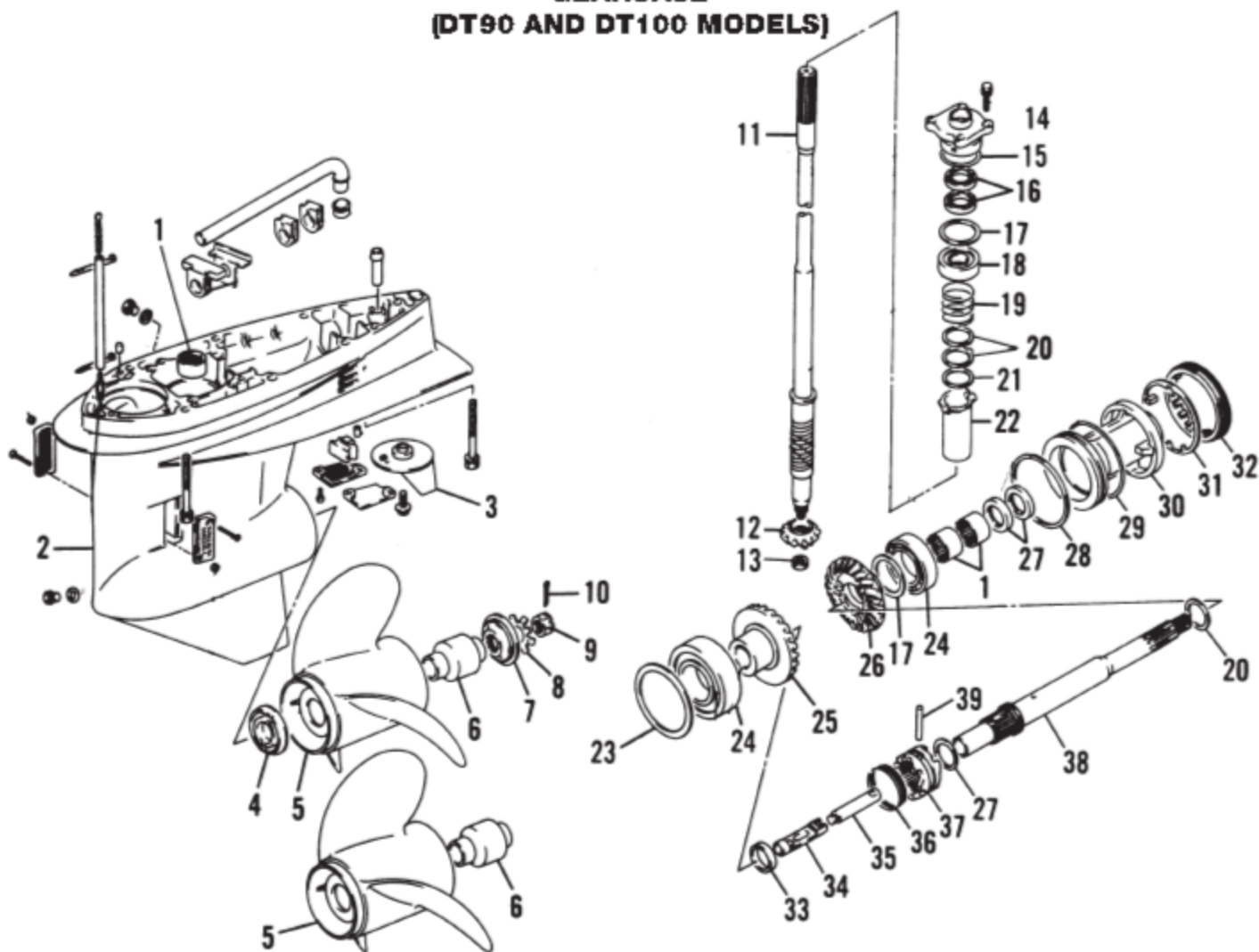


GEARCASE (DT90 AND DT100 MODELS)



- | | |
|---------------------------------------------|---------------------------------------|
| 1. Bearing | 20. Thrust washer |
| 2. Gearcase housing | 21. Tabbed thrust washer |
| 3. Trim tab | 22. Sleeve |
| 4. Propeller thrust hub | 23. Front mounted gear (forward) shim |
| 5. Propeller | 24. Bearing |
| 6. Drive hub | 25. Front mounted gear (forward) |
| 7. Washer | 26. Rear mounted gear (reverse) |
| 8. Tab washer | 27. Seal |
| 9. Propeller nut | 28. Spacer |
| 10. Cotter pin | 29. O-ring |
| 11. Drive shaft | 30. Bearing carrier |
| 12. Pinion gear | 31. Tab washer |
| 13. Pinion nut | 32. Cover nut |
| 14. Drive shaft bearing
and seal housing | 33. Thrust washer |
| 15. O-ring | 34. Shift cam |
| 16. Seals | 35. Shifter |
| 17. Shim | 36. Clutch spring |
| 18. Bearing | 37. Clutch |
| 19. Preload spring | 38. Propeller shaft |
| | 39. Cross pin |