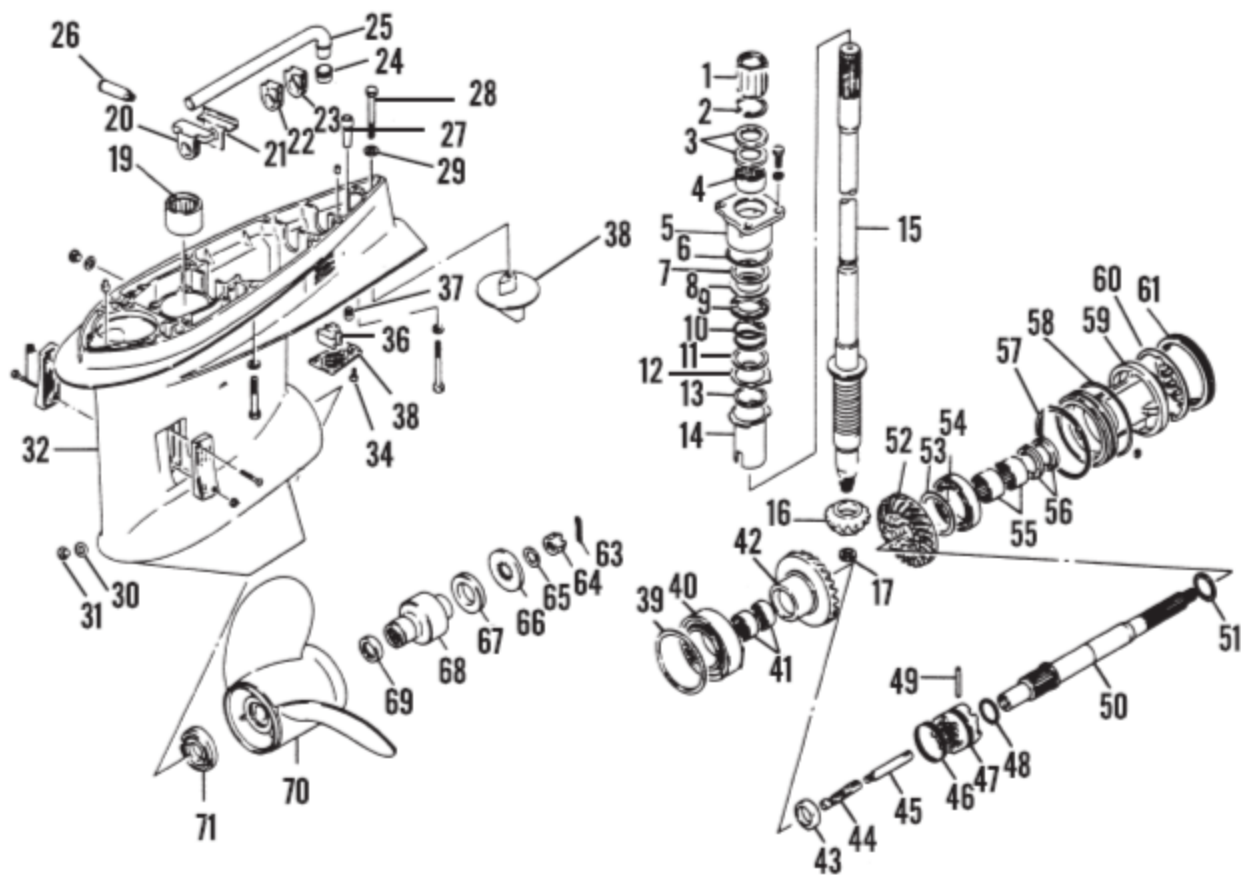


GEARCASE (STANDARD ROTATION V6 MODELS)



- | | | |
|-----------------------------|----------------------------------|---------------------------------|
| 1. Sleeve* | 25. Water tube* | 49. Cross pin |
| 2. Circlip* | 26. Sleeve* | 50. Propeller shaft |
| 3. Seals | 27. Alignment pin | 51. Thrust washer |
| 4. Bearing | 28. Bolt | 52. Rear mounted gear (reverse) |
| 5. Bearing and seal housing | 29. Washer | 53. Rear mounted gear shim |
| 6. O-ring | 30. Washer | 54. Bearing |
| 7. Shim | 31. Drain/fill plug | 55. Bearings |
| 8. Bearing race | 32. Gearcase housing | 56. Seals |
| 9. Bearing | 33. Water screen | 57. Spacer |
| 10. Preload spring | 34. Screw | 58. O-ring |
| 11. Thrust washer | 35. Water screen* | 59. Bearing carrier |
| 12. Tabbed thrust washer | 36. Filler block* | 60. Tab washer |
| 13. Spacer* | 37. Tube | 61. Cover nut |
| 14. Sleeve | 38. Trim tab | 62. Locating key |
| 15. Drive shaft | 39. Shim | 63. Cotter pin |
| 16. Pinion gear | 40. Bearing | 64. Propeller nut |
| 17. Pinion nut | 41. Bearing | 65. Washer |
| 18. Plug | 42. Front mounted gear (forward) | 66. Splined washer |
| 19. Bearing | 43. Thrust washer | 67. Washer |
| 20. Mount* | 44. Shifter | 68. Drive hub |
| 21. Bracket* | 45. Shift connector | 69. Spacer |
| 22. Support grommet* | 46. Clutch spring | 70. Propeller |
| 23. Support grommet* | 47. Clutch | 71. Propeller thrust hub |
| 24. Grommet* | 48. Thrust washer | |

* Not used on all models