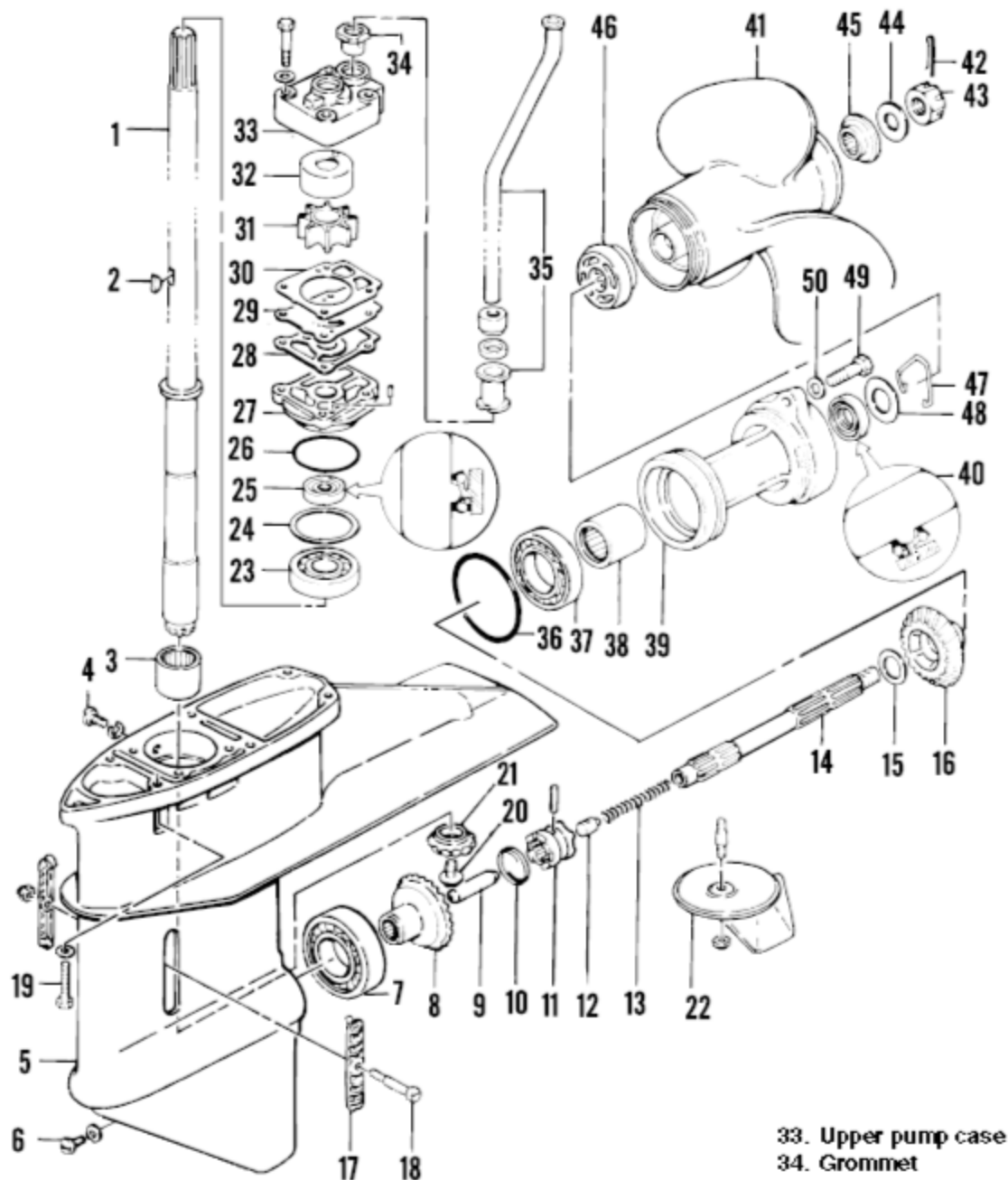


## GEARCASE ASSEMBLY (8-40 HP MODELS)



- |                           |                     |                       |
|---------------------------|---------------------|-----------------------|
| 1. Driveshaft             | 17. Screen          | 33. Upper pump case   |
| 2. Driveshaft key         | 18. Screw           | 34. Grommet           |
| 3. Roller bearing         | 19. Bolt            | 35. Water tube        |
| 4. Upper drain/vent screw | 20. Pinion bolt     | 36. O-ring            |
| 5. Gearcase housing       | 21. Pinion gear     | 37. Roller bearing    |
| 6. Drain screw            | 22. Trim tab        | 38. Needle bearing    |
| 7. Roller bearing         | 23. Roller bearing  | 39. Propeller housing |
| 8. Forward gear           | 24. Shim            | 40. Seal              |
| 9. Clutch push rod        | 25. Seal            | 41. Propeller         |
| 10. Clutch spring         | 26. O-ring          | 42. Cotter pin        |
| 11. Clutch                | 27. Lower pump case | 43. Castle nut        |
| 12. Retainer              | 28. Gasket          | 44. Washer            |
| 13. Spring                | 29. Plate           | 45. Spacer            |
| 14. Propeller shaft       | 30. Gasket          | 46. Spacer            |
| 15. Spacer                | 31. Impeller        | 47. Spring keeper     |
| 16. Reverse gear          | 32. Liner           | 48. Washer            |
|                           |                     | 49. Bolt              |
|                           |                     | 50. Washer            |