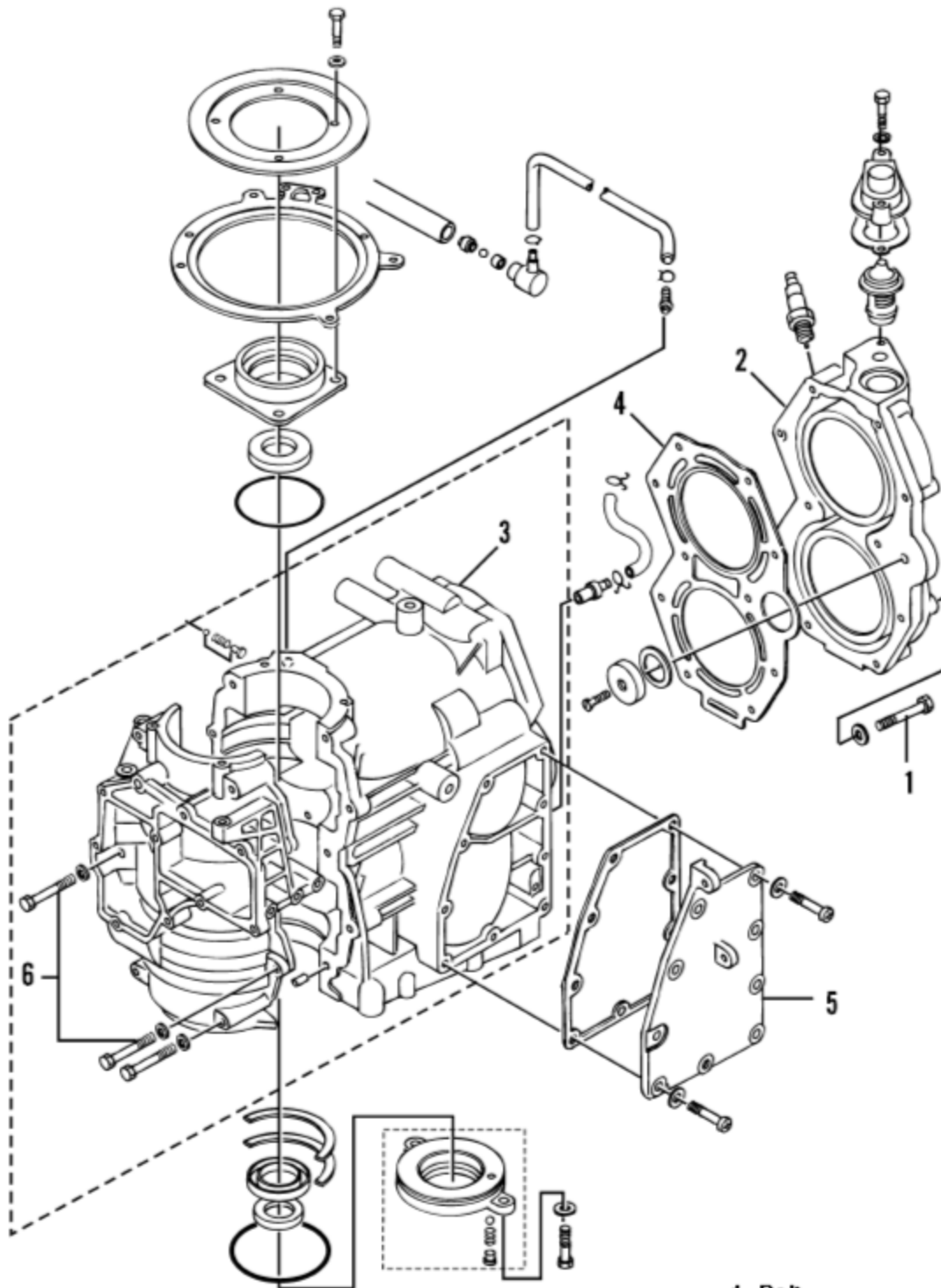


TYPICAL TWO-CYLINDER



1. Bolt
2. Head
3. Cylinder block
4. Head gasket
5. Exhaust cover
6. Bolt