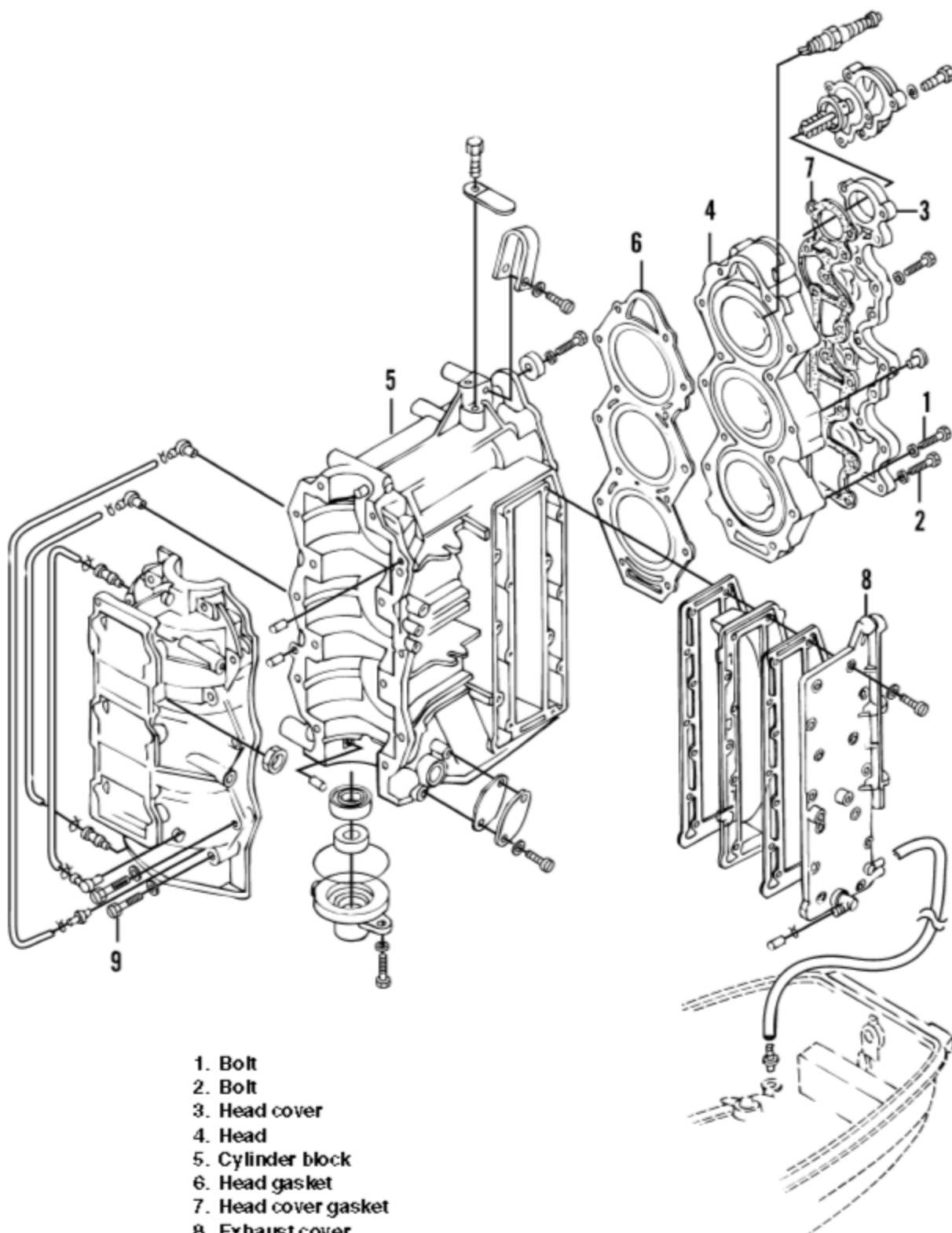


TYPICAL THREE-CYLINDER



1. Bolt
2. Bolt
3. Head cover
4. Head
5. Cylinder block
6. Head gasket
7. Head cover gasket
8. Exhaust cover
9. Bolt